



# Development Services

6051 Old Bagdad Highway, Milton, FL 32583

Phone (850) 981-7000

Fax (850) 623-1208

## Erosion and Sedimentation Control During Construction

Land Development Code 4.04.03 (J)

### Single Family Dwelling and Duplex Development Storm Water Control

1. All single family dwelling and duplex development activities, shall maintain erosion control measures so as to prevent sediment or debris from leaving the development parcel. Any sediment or debris that leaves the development site shall be properly recovered by the building permit holder.

**Failure to comply with this requirement shall constitute a violation of this ordinance and shall be cause for suspension of a building permit or development order.**

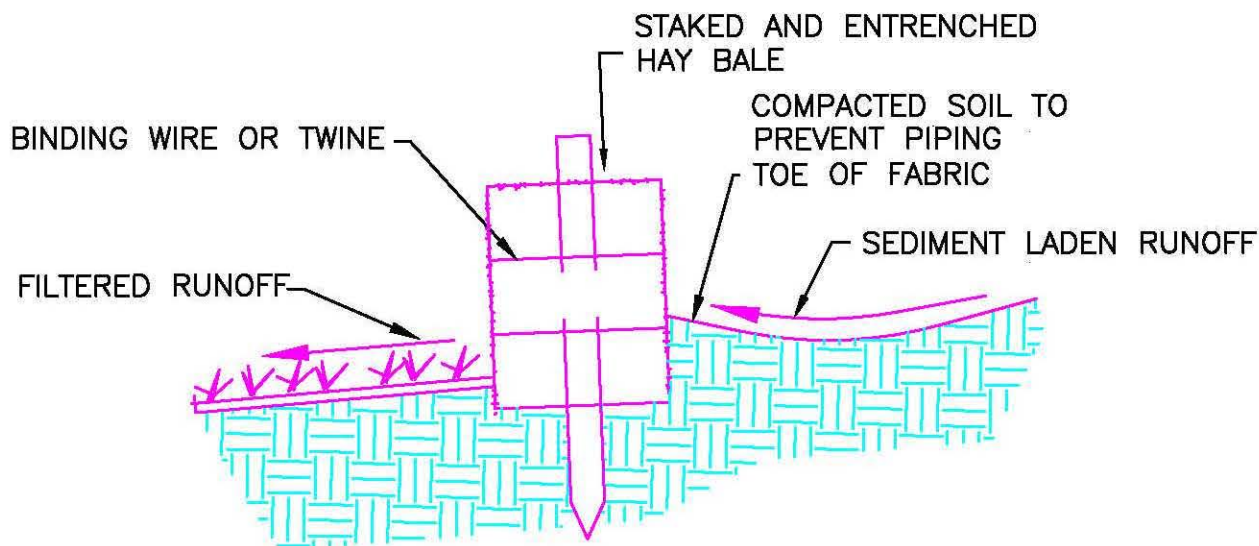
#### Definitions\*:

**Erosion**– the movement of soil by water or wind.

**Sedimentation**– the settling out and deposition of soil particles that have been moved by water.

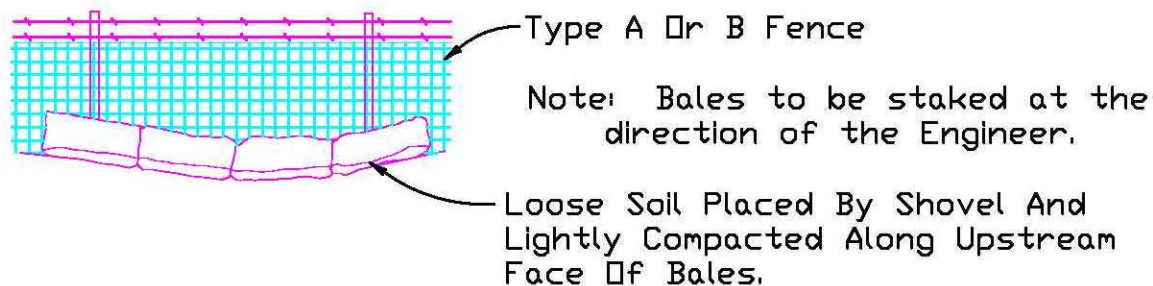
Rain can carry the soil from unvegetated areas and deposit it into stormwater collection systems. These sediments will often settle in holding ponds sealing the bottom of the pond preventing pond recovery via percolation. In particular red clay that is often used for foundations of new construction, will settle in retention ponds and create a impermeable surface. If the pond cannot recover, the volume of the pond is reduced. This can result in a failed stormwater system and flooding may occur that would not normally occur with an operable system.

It is crucial for these sediments to be contained on the property that new construction is taking place. Improper erosion control on jobsites will result in a delay of construction. Please view the examples of erosion control methods within this document. Should you have any questions, please call Development Services, Monday through Friday, 7a.m. to 4:30p.m.



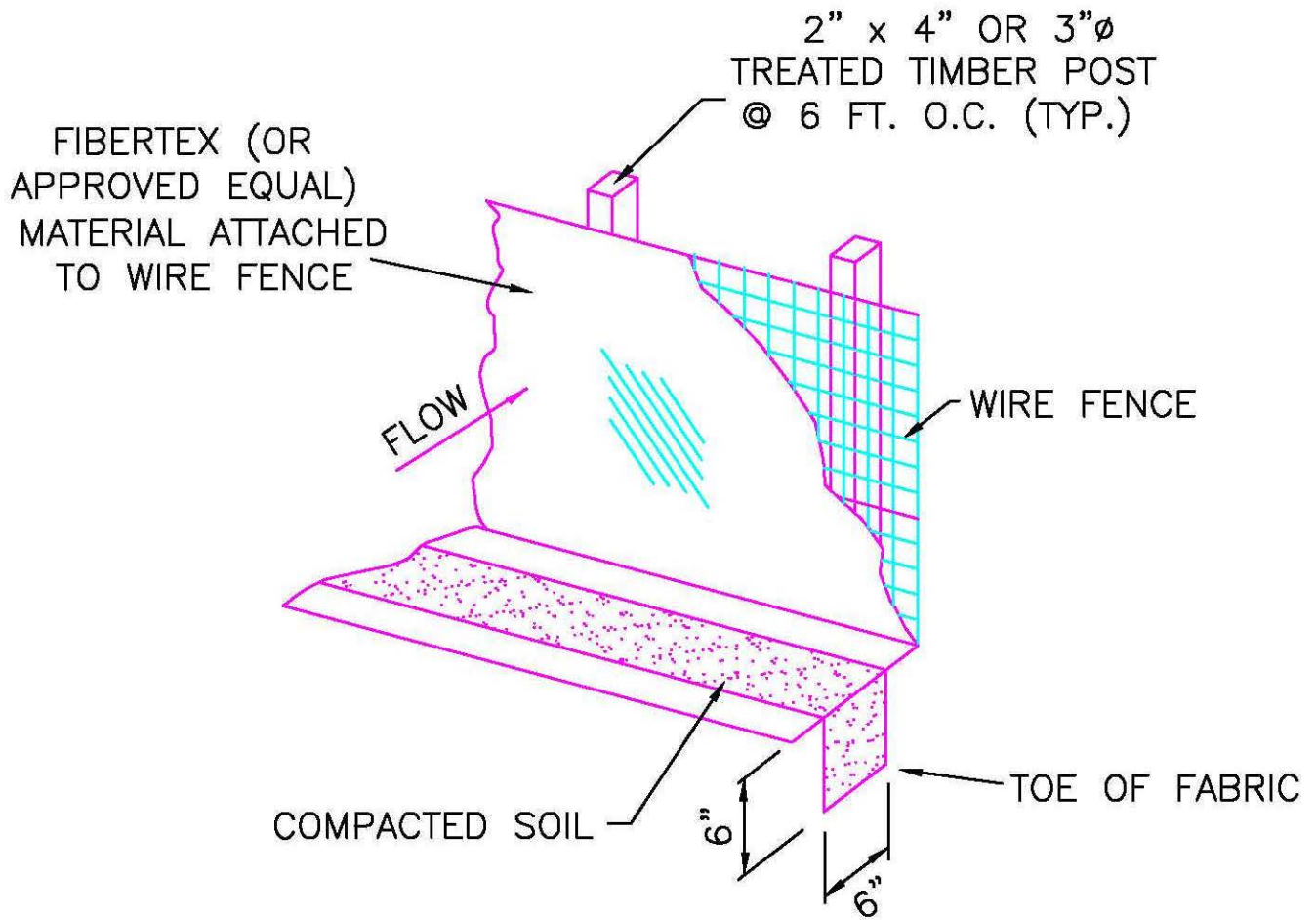
DETAIL OF PROPERLY INSTALLED HAY BALE

NOT TO SCALE



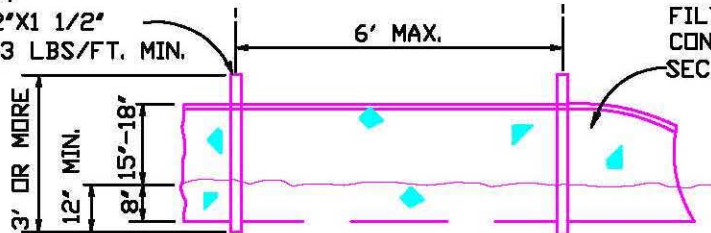
BALES BACKED BY FENCE

NOT TO SCALE



SILT FENCE DETAIL  
NOT TO SCALE

POST OPTIONS:  
 WOOD 2 1/2" MIN. Ø  
 WOOD 2"X4"  
 OAK 1 1/2"X1 1/2"  
 STEEL 1.33 LBS/FT. MIN.

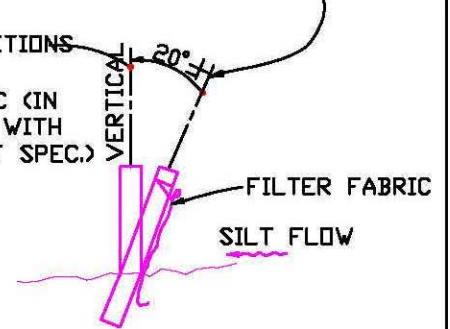


ELEVATION

OPTIONAL POST POSITIONS

FILTER FABRIC (IN CONFORMANCE WITH SEC. 985 FDOT SPEC.)

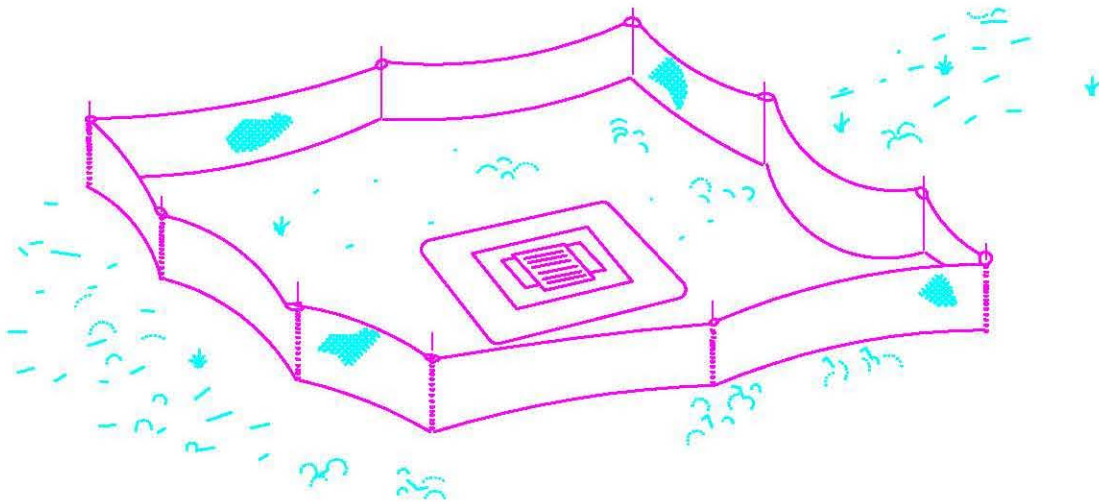
PRINCIPLE POST POSITION (CANTED 20° TOWARD FLOW)



SECTION

## TYPE III SILT FENCE

NOT TO SCALE



TYPE III SILT FENCE PROTECTION  
 AROUND DITCH BOTTOM INLETS.