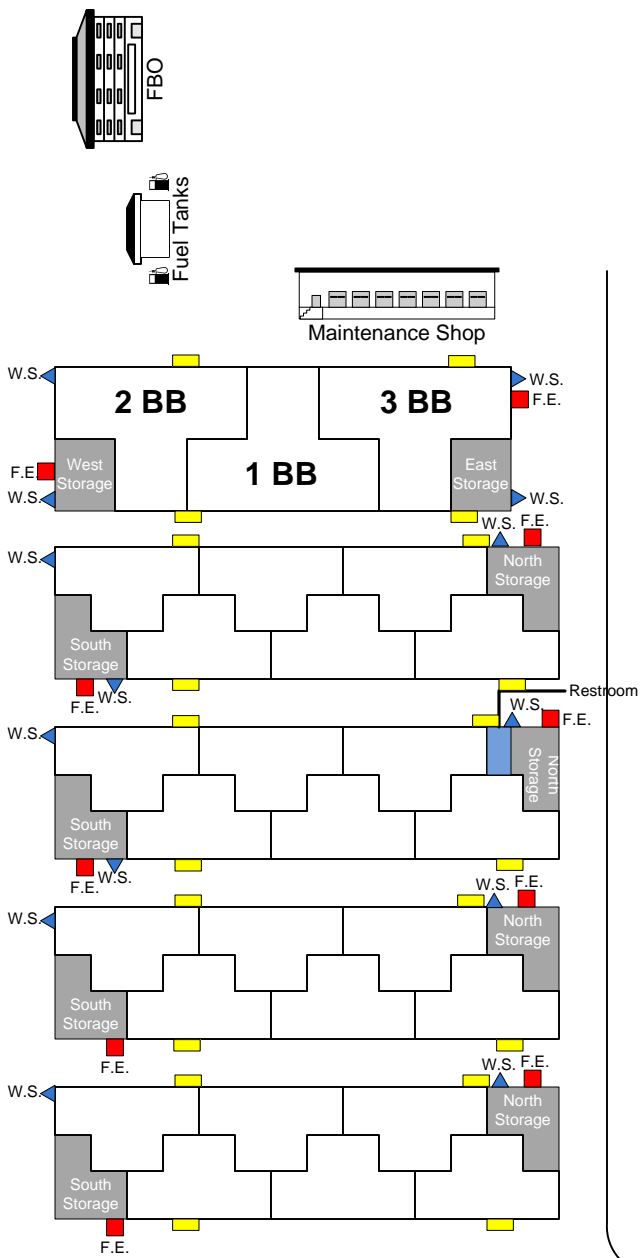
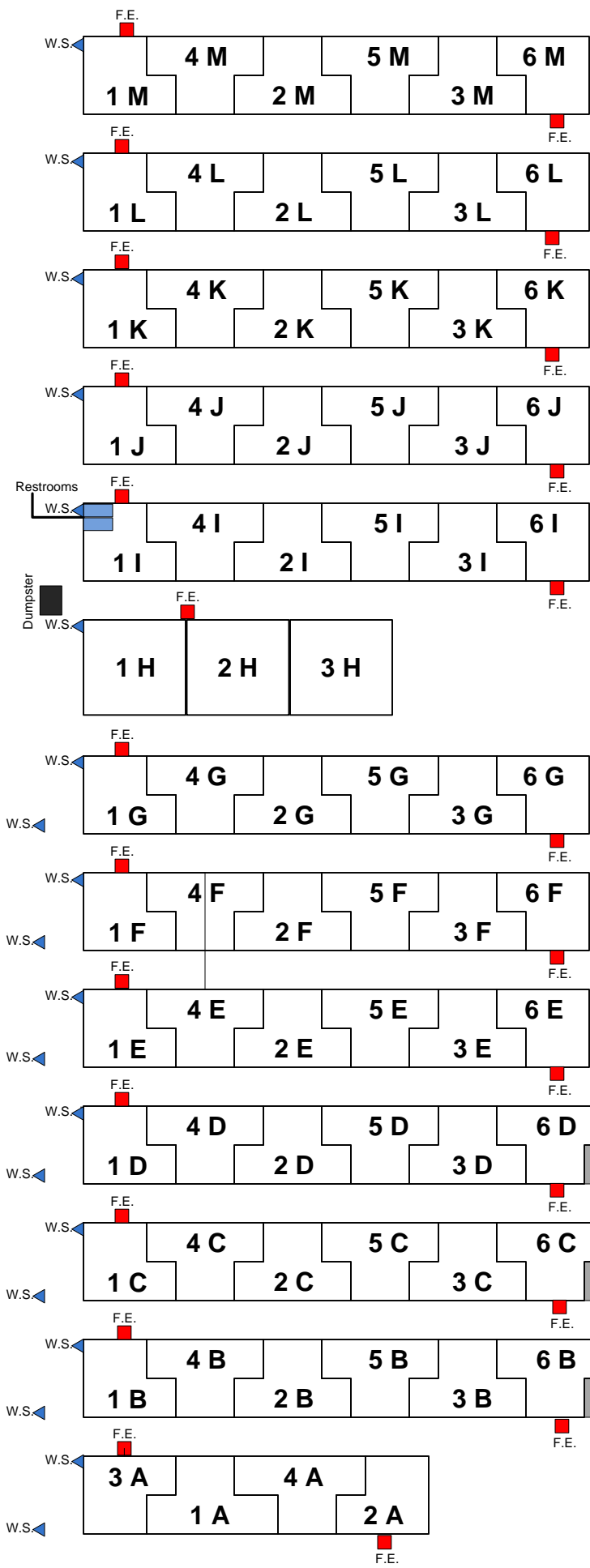


Airport Road

Airport Road



# Peter Prince Airport

| Number/types of hangars    | Area (sq ft) | Dimensions of hangars | Shape                       | Current rate per month (do not include sales tax) |
|----------------------------|--------------|-----------------------|-----------------------------|---|
| Light twin tee             | 48           | 1,143.8               | 43'8" x 17' + 22'4" x 18'   | \$175.00  |
| Light twin end             | 18           | 1,333.8               | 33'3" x 35'+ 10' x 17'      | \$190.00  |
| Cabin twin tee (A-1 & A-4) | 2            | 1,445                 | 47'9" x 20' + 24'6" x 20'   | \$200.00  |
| Cabin twin end (A-2 & A-3) | 2            | 1,692                 | 36'4" x 40'+ 12' x 20'      | \$215.00  |
| Box corporate (H-1 & H-3)  | 2            | 2,565                 | 57' x 45'                   | \$550.00  |
| Box corporate (H-2)        | 1            | 2,970                 | 66' x 45'                   | \$800.00  |
| Tee BB-Hangar              | 3            | 1702                  | 49' x 23' + 25' x 23'       | \$250.00  |
| Tee CC-FF Hangar           | 24           | 1008                  | 40' x 19.20' + 20' x 12'    | \$225.00  |
| Tee BBB & CCC Hangar       | 15           | 1773                  | 47' x 25' 8" + 26' 4" x 23' | \$250.00  |

## Hangar Door Openings

- Hangars 1A – 4A: 45' 1" W x 13' 11.5" H
- Hangars B-G: 40' W x 11.6' H
- Hangars 1H – 3H: 48' W x 16' H
- Hangars I-M: 40' W x 11.6' H
- Hangar BB: 46.5' W x 14.6 H
- Hangars CC-FF: 41' W x 12' H
- Hangars BBB-CCC: 47' W x 14' H

## Storage Units

- B-D Units: 00' x 00' \$15.00
- BB Units: 12' x 23' \$15.00
- CC-FF Units: 10' 6" x 12' \$15.00

Note: This layout is not to scale.

W.S. = Water Spigot

F.E. = Fire Extinguisher

